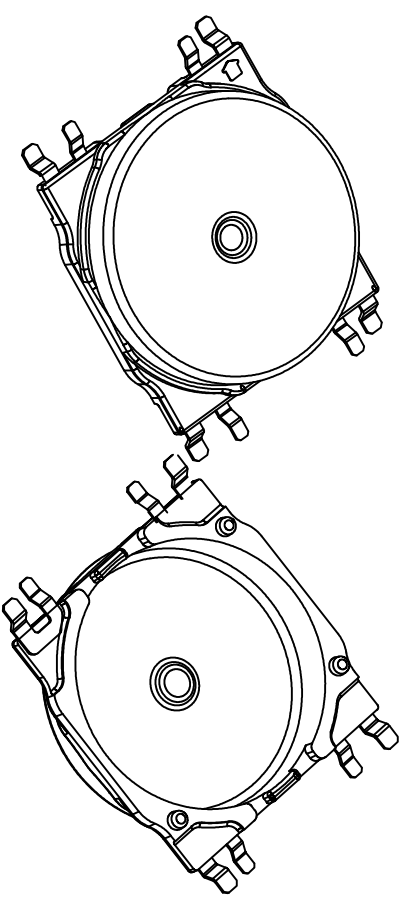
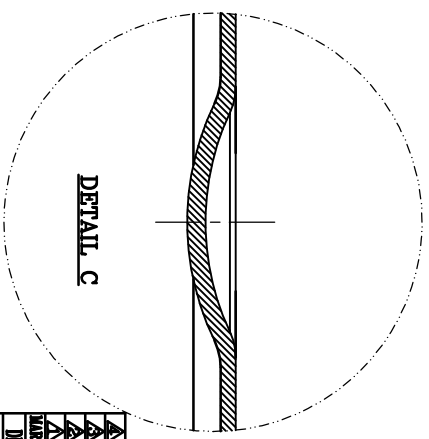


SECTION A-A'



DATE	DATE	DATE	DATE
NAME	REVISION NOTE	NAME	DRAWN (CHECKED APPROVED)
NAME (CHECKED APPROVED)	MATERIAL : LCP	DL REC. : U94-0	THIRD ANGLE PROJ
DATE	TITLE	DATE : 2009.02.25	SCALE : 1/1
DATE	OR 33φ BASE	DATE	TOLERANCE : ±0.2
DATE		DATE	UNIT : mm
DATE		DATE	DWG NO
DATE		DATE	DH-090802-6207-00